



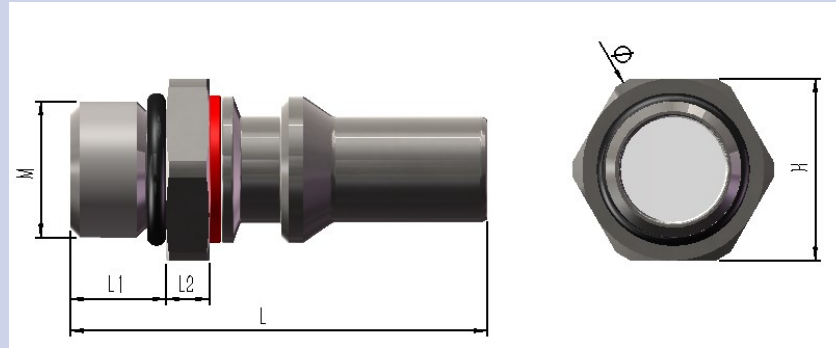
## UQD series

VAV Specifications	UQD02	UQD04	UQD06	UQD08
Cv	0.35	1.22	2.55	4.65
Max working pressure	16.5Bar	16.5Bar	16.5Bar	16.5Bar
Min. burst pressure	60 Bar	60 Bar	50 Bar	50 Bar
Working Temperature	-40°C~125°C	-40°C~125°C	-40°C~125°C	-40°C~125°C
Socket Material	SUS316	SUS316	SUS316	SUS316
Plug Material	SUS316	SUS316	SUS316	SUS316
Seal Material	EPDM	EPDM	EPDM	EPDM

OCP Specifications				
Cv	0.25	0.8	1.6	2.5
Max working pressure	7.0Bar	7.0Bar	7.0Bar	7.0Bar
Min. burst pressure	20.7Bar	20.7Bar	20.7Bar	20.7Bar



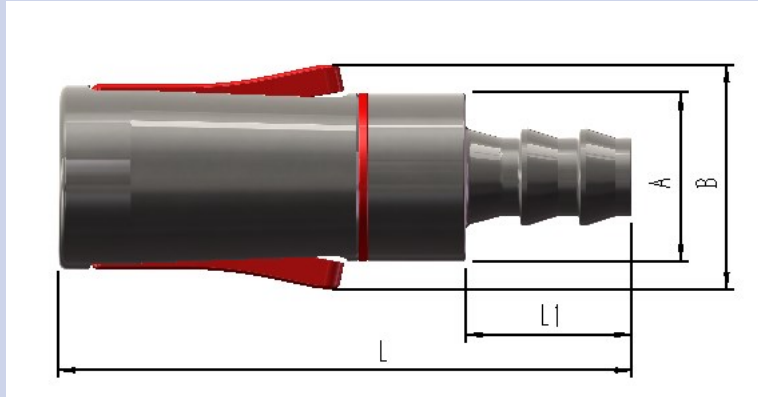
## UQD Plugs



	UQD02P04SU02D002	UQD04P04SU04D002	UQD06P04SU05D002	UQD08P04SU06D002
<b>M</b>	7/16-20 UNF	9/16-18 UNF	3/4-16 UNF	7/8-14 UNF
<b>H (mm)</b>	14	19	22	25
<b><math>\psi</math> (mm)</b>	15.7	21.0	24.2	28.0
<b>L (mm)</b>	34.0	43.5	48.6	54.7
<b>L1 (mm)</b>	9.1	10.0	11.1	12.7
<b>L2 (mm)</b>	3.9	4.5	5	5.5



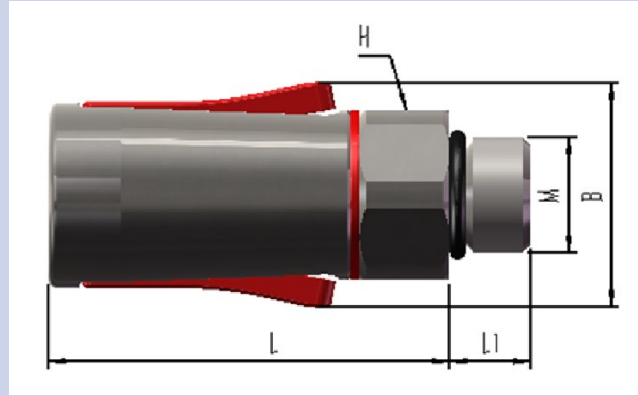
## UQD Sockets



	UQD02S08SC00H022	UQD04S08SC00H032	UQD06S08SC00H042	UQD08S08SC00H052
<b>Terminations</b>	HOSE 1/4"	HOSE 3/8"	HOSE 1/2"	HOSE 5/8"
<b>A (mm)</b>	14.2	21.0	27.0	30.0
<b>B (mm)</b>	21.6	27.8	35.2	38.5
<b>L (mm)</b>	54.5	71.2	81.3	89.0
<b>L1 (mm)</b>	19.3	20.7	26.0	27.0



## UQD Sockets



	UQD02S08SC00U022	UQD04S08SC00U042	UQD06S08SC00U052	UQD08S08SC00U062
<b>M</b>	7/16-20 UNF	9/16-18 UNF	3/4-16 UNF	7/8-14 UNF
<b>H (mm)</b>	14	21	27	30
<b>B (mm)</b>	21.6	27.8	35.2	38.5
<b>L (mm)</b>	35.2	50.5	55.3	62.0
<b>L1 (mm)</b>	9.1	10.0	11.1	12.7