



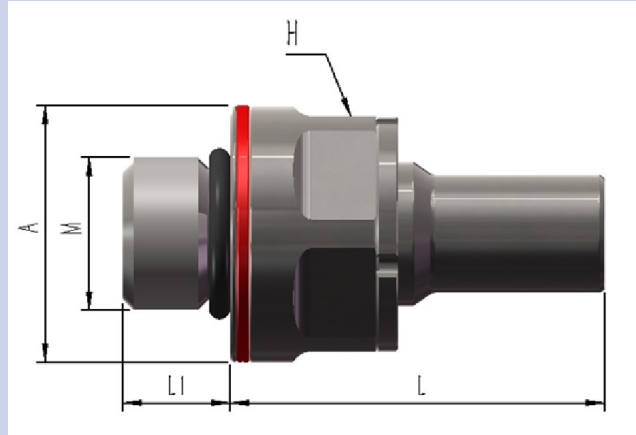
UQDB Series

VAV Specifications	UQDB02	UQDB04	UQDB06	UQDB08
Cv	0.42	1.33	2.4	4.78
Max working pressure	16.5Bar	16.5Bar	16.5Bar	16.5Bar
Min. burst pressure	50 Bar	50 Bar	45 Bar	45 Bar
Working Temperature	-40°C~125°C	-40°C~125°C	-40°C~125°C	-40°C~125°C
Socket Material	SUS316	SUS316	SUS316	SUS316
Plug Material	SUS316	SUS316	SUS316	SUS316
Seal Material	EPDM	EPDM	EPDM	EPDM

OCP Specifications				
Cv	0.25	0.8	1.55	2.5
Max working pressure	7.0Bar	7.0Bar	7.0Bar	7.0Bar
Min. burst pressure	20.7Bar	20.7Bar	20.7Bar	20.7Bar



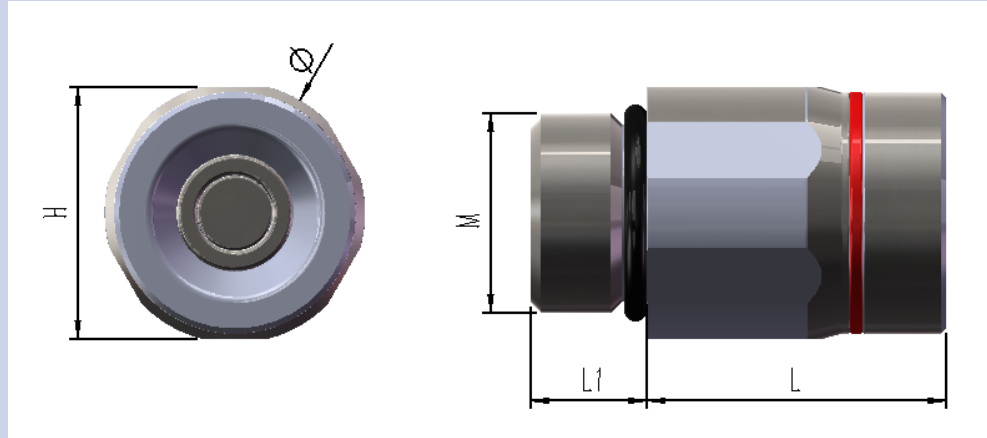
UQDB Plugs



UQDB	UQDB02P08SU02D002	UQDB04P08SU04D002	UQDB06P08SU05D002	UQDB08P08SU06D002
M	7/16-20 UNF	9/16-18 UNF	3/4-16 UNF	7/8-14 UNF
A (mm)	21	24	28.4	31.2
L (mm)	27	35.4	38.9	42.9
L1 (mm)	9.1	10	11.1	12.7
S (mm)	20	22	27	30



UQDB Sockets



UQDB	UQDB02S08SU04C002	UQDB04S08SU05C002	UQDB06S08SU06C002	UQDB08S08SU07C002
M	9/16-18 UNF	3/4-16 UNF	7/8-14 UNF	1 1/16-12 UNF
H (mm)	17.0	24.0	27.0	30.0
ψ (mm)	17.8	24.8	28.2	31.0
L (mm)	23.6	28.5	31.7	35.5
L1 (mm)	10.0	11.1	12.7	15.1